

+NOTICE!!

These documents have been scanned!

Do not place un-scanned documents beneath this notice!

Do not remove this notice from this file!

GPO Jacket No. 560-102
Print Order 61549
Rise Business Services, LLC
Job=AZ15 1/8/2020



Box Number= AZ15283



Claim Begin-End: AMC457050-AMC457053

1 Initial Receipt



AZ15283-10

AMC458525-AMC458783

United States Department of the Interior
Bureau of Land Management
 DIV OF LANDS, MINRLS & ENERGY
 ONE N CENTRAL AVE
 PHOENIX, AZ 85004 -4427
 Phone: 602-417-9200

Receipt	
No:	4561385

Transaction #: 4682640
Date of Transaction: 09/16/2019

CUSTOMER:

DAN JACOBS
 PO BOX 447
 CONGRESS, AZ 85332-0447 US

ENTERED
 SEP 30 2019
 BY: *RAM*

~~**ENTERED**~~
 SEP 30 2019
 BY: *RAM*

LINE #	QTY	DESCRIPTION	REMARKS	UNIT PRICE	TOTAL
1	4.00	LOCATABLE MINERALS / MINING CLAIMS-NEW, UNADJUD, ONE OR MORE AUTH NOS / NEW MINING CLAIM PROCESSING FEE CASES: AMC457050/\$20.00, AMC457051/\$20.00, AMC457052/\$20.00, AMC457053/\$20.00		- n/a -	80.00
2	4.00	LOCATABLE MINERALS / MINING CLAIMS-NEW, UNADJUD, ONE OR MORE AUTH NOS / NEW MINING CLAIMS LOCATION FEE CASES: AMC457050/\$40.00, AMC457051/\$40.00, AMC457052/\$40.00, AMC457053/\$40.00		- n/a -	160.00
3	4.00	LOCATABLE MINERALS / MINING CLAIMS-NEW, UNADJUD, ONE OR MORE AUTH NOS / NEW MINING CLAIMS MAINTENANCE FEE CASES: AMC457050/\$165.00, AMC457051/\$165.00, AMC457052/\$165.00, AMC457053/\$165.00		- n/a -	660.00
TOTAL:					\$900.00

PAYMENT INFORMATION

NOTE: Items will appear on credit card statement as "Bureau of Land Mgmt CO".

1	AMOUNT:	900.00	POSTMARKED:	N/A
	TYPE:	CREDIT CARD	RECEIVED:	09/16/2019
	NAME:	JACOBS, DAN PO BOX 447 CONGRESS AZ 85332-0447 US		
	CARD NO:	XXXXXXXXXXXX7247	AUTH CODE:	01672R
	NAME ON CARD:	DANIEL C JACOBS		

NOTICE!!

These documents have been scanned!

Do not place un-scanned documents beneath this notice!

Do not remove this notice from this file!

GPO Jacket No. 560-102
Print Order 61549
Rise Business Services, LLC
Job=AZ15 1/8/2020



Box Number= AZ15283



Claim Begin-End: AMC457050-AMC457053

2 Correspondence



AZ15283-10

AMC458525-AMC458783

**NO
DOCUMENTS
FOUND**

NO DOCUMENTS FOUND
NO DOCUMENTS FOUND

NOTICE!!

These documents have been scanned!

Do not place un-scanned documents beneath this notice!

Do not remove this notice from this file!

GPO Jacket No. 560-102
Print Order 61549
Rise Business Services, LLC
Job=AZ15 1/8/2020



Box Number= AZ15283



Claim Begin-End: AMC457050-AMC457053

3 Transfers



AZ15283-10

AMC458525-AMC458783

**NO
DOCUMENTS
FOUND**

NO DOCUMENTS FOUND
NO DOCUMENTS FOUND

NOTICE!!

These documents have been scanned!

Do not place un-scanned documents beneath this notice!

Do not remove this notice from this file!

GPO Jacket No. 560-102
Print Order 61549
Rise Business Services, LLC
Job=AZ15 1/8/2020



Box Number= AZ15283



Claim Begin-End: AMC457050-AMC457053

4 Annual Filings



AZ15283-10

AMC458525-AMC458783

**NO
DOCUMENTS
FOUND**

NO DOCUMENTS FOUND
NO DOCUMENTS FOUND

NOTICE!!

These documents have been scanned!

Do not place un-scanned documents beneath this notice!

Do not remove this notice from this file!

GPO Jacket No. 560-102
Print Order 61549
Rise Business Services, LLC
Job=AZ15 1/8/2020



Box Number= AZ15283



Claim Begin-End: AMC457050-AMC457053

5 Miscellaneous



AZ15283-10

AMC458525-AMC458783

**NO
DOCUMENTS
FOUND**

NO DOCUMENTS FOUND
NO DOCUMENTS FOUND

NOTICE!!

These documents have been scanned!

Do not place un-scanned documents beneath this notice!

Do not remove this notice from this file!

GPO Jacket No. 560-102
Print Order 61549
Rise Business Services, LLC
Job=AZ15 1/8/2020



Box Number= AZ15283



Claim Begin-End: AMC457050-AMC457053

6 Location Notices-Amendments and Supporting Documents



AZ15283-10

AMC458525-AMC458783

MINING CLAIM STATUS REPORT – Assessment Year 2020

Data Entered: 9/30/19 CAM

MTP Checked By: PER
GEO Checked By: _____

LEAD SERIAL NUMBER: AMC 457050 thru AMC 457053

NUMBER OF CLAIMS & TYPE:

4 LODE
____ PLACER
____ ASSOCIATION PLACER
____ MILL SITE
____ TUNNEL SITE

CHARGES:

Processing Fee @ \$20 = \$ 80⁰⁰
Location Fee @ \$40 = \$ 160⁰⁰
Maintenance Fee @ \$165 = \$ 460⁰⁰
Add'l Maint Fee for Assoc Placer = \$ _____
SUBTOTAL \$ 900⁰⁰
Other Fees \$ _____
Other Fees \$ _____
TOTAL \$ _____

TOTAL ACREAGE: _____ Per Claim
(Placer Only)

NUMBER OF LOCATORS: 1

DOCUMENTS RECEIVED VIA : Over-the-Counter [] Mail [] **TIMELY FILED:** Yes [] No []

LEGAL DESCRIPTION: T 22N R 18W SEC 12,13
T _____ R _____ SEC _____
T _____ R _____ SEC _____
T _____ R _____ SEC _____
T _____ R _____ SEC _____

BLM [] FOREST SERVICE [] _____ SUBJ TO PL 359: Yes [] No []
WILDERNESS AREA [] _____

SPLIT ESTATE: N/A [] SX [] PX [] OTHER [] _____
SRHA [] Was proper Notice filed if located on SHRA Land? Yes [] No []

RECONVEYED MINERALS ON BLM LAND REQUIRE OPENING ORDER FROM 1944 TO 1993:
Open to Entry On _____ N/A []

COMMENTS/STATUS: VOID [] PARTIALLY VOID [] PVT MINERALS [] WITHDRAWN LANDS []
OTHER [] _____

[] Claimant acknowledges that portions of the following claim(s) site(s) may be void or voidable.

Printed Name of Claimant _____ Signature of Claimant _____

*****FINAL ADJUDICATION*****

DATE _____ INITIALS _____

LODE

LOCATION NOTICE FOR PLACER MINING CLAIM

Amendment BLM Serial # _____

NOTICE IS HEREBY GIVEN that the DDRS

_____ placer mining claim has been located by

JCR-Mining Ventures LLC whose current mailing address is P.O. Box 447, Congress, AZ 85332

RECEIVED
BLM STATE OFFICE
2019 SEP 16 A 10:13
PHOENIX, ARIZONA

BLM
Date
Stamp

The general course of this claim is NW to SE and it is situated in Mohave County, Arizona. This claim is 1500 feet in length and 600 feet in width.

20 Total Claim Acreage. This claim runs from the location monument on which this location notice is posted at the NE corner of the claim approximately 1500 feet in a NW direction to the NW end line and 1500 feet in a SE direction to the SE end line. This claim is marked by four monuments, one at each corner of the claim.

The location monument on which this notice is posted is situated within Section 13, Township 22 N, Range 18 W, Gila Salt River Base and Meridian, Arizona. This claim encompasses portions of the following legal subdivision(s) if located by legal subdivision or the following quarter section(s), section(s), Township(s) and Range(s) NE 1/4, SE 1/4 - Sec 13, T-22 N, R-18 W, Gila Salt River Base and Meridian, Arizona.

The locality of this claim with reference to some natural object or permanent monument and additional information (if any) concerning its locality are as follows: The NE corner of this claim is approx. 435' South of the 1/4 corner marker on the East Border of Sec 13. The above information is shown on the attached map.

DATED AND POSTED on the ground this 2nd day of Sept., 2019

LOCATOR(s) AGENT

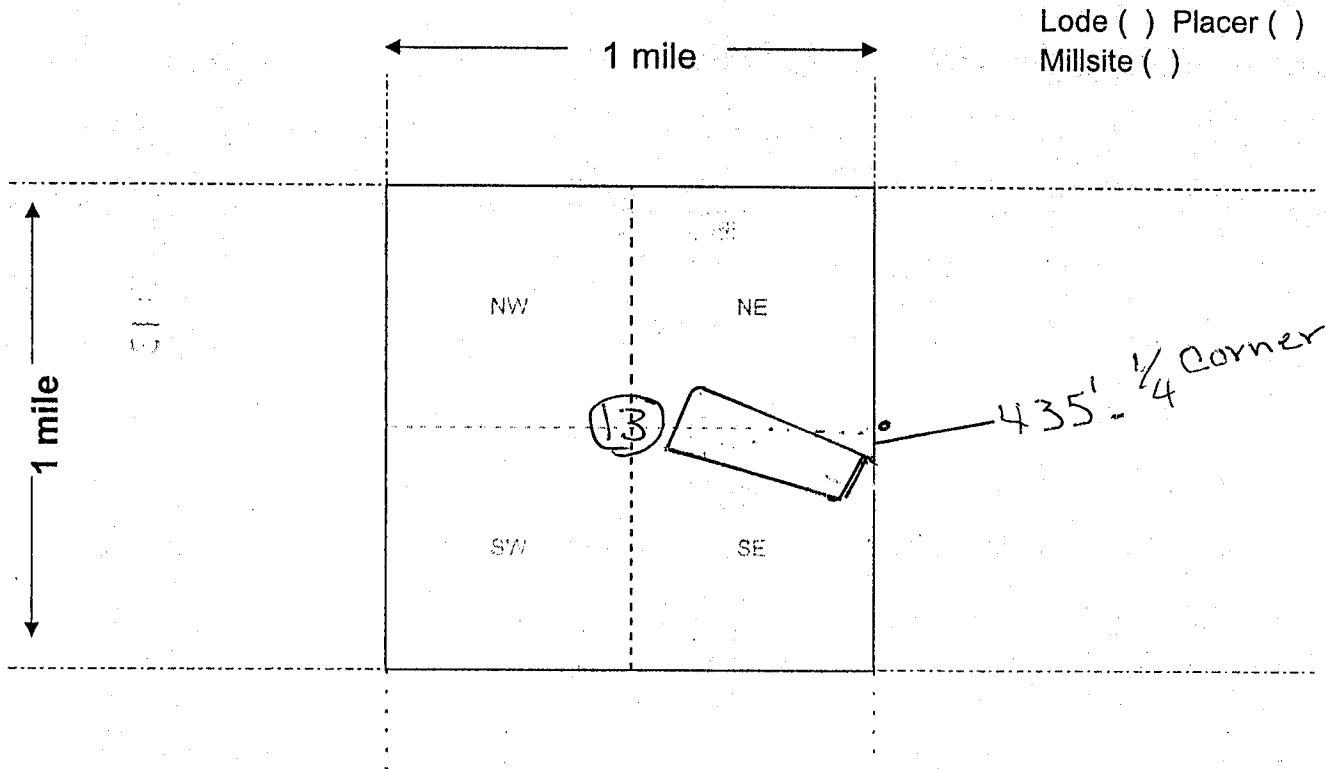
Print Name(s) DDM Jacobs

Signature(s) DDM Jacobs

Form MCF102
Revised July 2014

AMC457050

MINING CLAIM MAP



Lode () Placer ()
Millsite ()

Scale: 1" = 2000 feet



1. The above map depicts the DDRS mining claim, which is located in Section (s) 13, Township 22-N, Range 18 W, Gila and Salt River Base and Meridian, Mohave County, Arizona. Total claim acreage is 20
2. The type of corner and location monuments used are as follows: 2" x 2" x 4'
Wood Posts
3. The bearings and distances in degrees and feet between claim corners and to a public land survey monument are as depicted on the map.
4. If the claim is a placer or millsite claim with exterior limits conforming to legal subdivisions of the public survey, provide a legal description of the claim This claim originally called
Roadside

Form MCF100a
Revised July 2014

This form is available from the Arizona Geology Survey and may be reproduced.

MAP DOES NOT MATCH LEGAL DESCRIPTION

LODE

LOCATION NOTICE FOR PLACER MINING CLAIM

Amendment BLM Serial # _____

NOTICE IS HEREBY GIVEN that the DDRS # 1

_____ placer mining claim has been located by

JCR-Mining Ventures LLC whose current mailing address is P.O. Box 447, Congress, AZ 85332

RECEIVED
BLM STATE OFFICE
2019 SEP 16 A 10:18
PHOENIX, ARIZONA

BLM
Date
Stamp

The general course of this claim is NW to SE and it is situated in Mohave

County, Arizona. This claim is 1500 feet in length and 600 feet in width.

20 Total Claim Acreage. This claim runs from the location monument on which this location notice is posted at the NE corner of the claim approximately 1500 feet in a NW direction to the NW end line and 600 feet in a SW direction to the So- end line. This claim is marked by four monuments, one at each corner of the claim.

The location monument on which this notice is posted is situated within Section 13, Township 22 N, Range 18 W, Gila Salt River Base and Meridian, Arizona. This claim encompasses portions of the following legal subdivision(s) if located by legal subdivision or the following quarter section(s), section(s), Township(s) and Range(s) NW, NE 1/4 of sec. 13 - T-22N, R-18W, Gila Salt River Base and Meridian, Arizona.

The locality of this claim with reference to some natural object or permanent monument and additional information (if any) concerning its locality are as follows: the NE corner of this claim is also the NW corner of DDRS claim

_____ The above information is shown on the attached map.
DATED AND POSTED on the ground this 2nd day of Sept, 2019.

LOCATOR(s) AGENT

Print Name(s) Don Jacobs

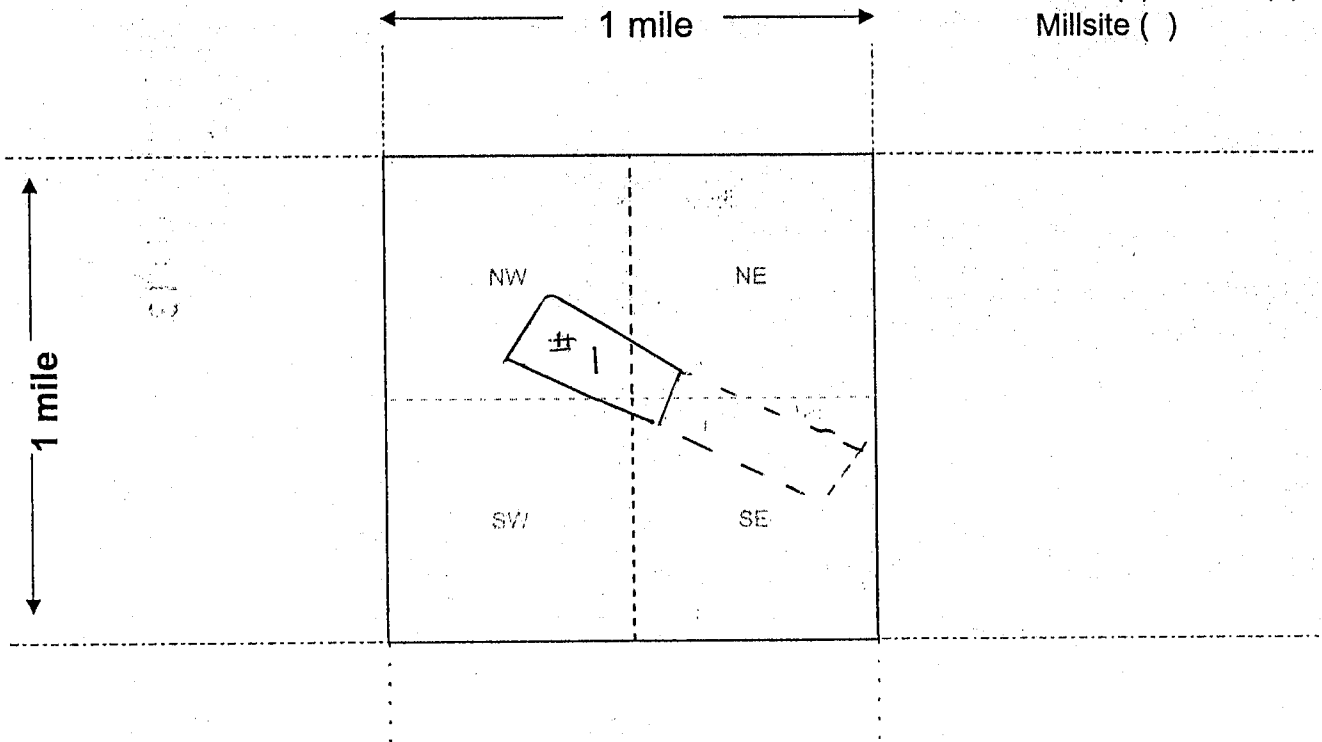
Signature(s) [Signature]

Form MCF102
Revised July 2014

AMC 457051

MINING CLAIM MAP

Lode () Placer ()
Millsite ()



Scale: 1" = 2000 feet



- The above map depicts the DDRS #1 mining claim, which is located in Section (s) 13, Township 22 N, Range 18 W, Gila and Salt River Base and Meridian, Mohave County, Arizona. Total claim acreage is 20
- The type of corner and location monuments used are as follows: 2" x 2" x 4" Wood Posts
- The bearings and distances in degrees and feet between claim corners and to a public land survey monument are as depicted on the map.
- If the claim is a placer or millsite claim with exterior limits conforming to legal subdivisions of the public survey, provide a legal description of the claim this claim was formerly called Roadside #1

Form MCF100a
Revised July 2014

MAP DOES NOT MATCH LEGAL DESCRIPTION

LODE

LOCATION NOTICE FOR PLACER MINING CLAIM

Amendment BLM Serial # _____

NOTICE IS HEREBY GIVEN that the DDRS # 2

_____ placer mining claim has been located by

JCR Mining Ventures LLC whose current mailing address is P.O. Box 447, Congress, Az. 85332

RECEIVED
BLM STATE OFFICE
2019 SEP 16 A 10:10
PHOENIX, ARIZONA

BLM
Date
Stamp

The general course of this claim is NW to SE and it is situated in Mohave

County, Arizona. This claim is 1500 feet in length and 600 feet in width.

20 Total Claim Acreage. This claim runs from the location monument on which this location notice is posted at the NE corner of the claim approximately 1500 feet in a NW direction to the NW end line and 600 feet in a SW direction to the So. end line. This claim is marked by four monuments, one at each corner of the claim.

The location monument on which this notice is posted is situated within Section 13, Township 22 N, Range 18 W, Gila Salt River Base and Meridian, Arizona. This claim encompasses

portions of the following legal subdivision(s) if located by legal subdivision or the following quarter section(s), section(s), Township(s) and Range(s) NE 1/4, SE 1/4 - Sec. 13 - T-22-N; R-18W, Gila Salt River Base and Meridian, Arizona.

The locality of this claim with reference to some natural object or permanent monument and additional information

(if any) concerning its locality are as follows: This claim formally called Roadside # 2

_____ The above information is shown on the attached map.
DATED AND POSTED on the ground this 2nd day of Sept, 2019.

LOCATOR(s) AGENT

Print Name(s) Dan Jacobs

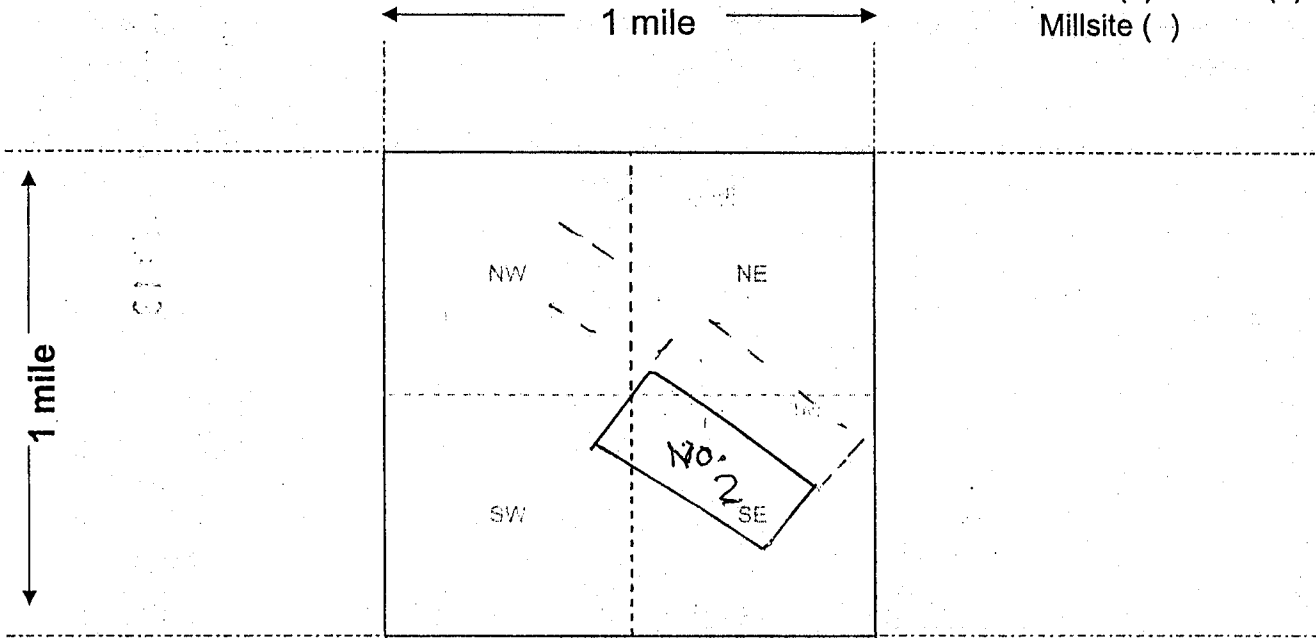
Signature(s) [Signature]

Form MCF102
Revised July 2014

AMC457052

MINING CLAIM MAP

Lode () Placer ()
Millsite ()



Scale: 1" = 2000 feet



1. The above map depicts the DDRS # 2 mining claim, which is located in Section (s) 13, Township 22 N, Range 18 W, Gila and Salt River Base and Meridian, Mohave County, Arizona. Total claim acreage is 20

2. The type of corner and location monuments used are as follows: The NE corner of this claim is same as SE corner DDRS

3. The bearings and distances in degrees and feet between claim corners and to a public land survey monument are as depicted on the map.

4. If the claim is a placer or millsite claim with exterior limits conforming to legal subdivisions of the public survey, provide a legal description of the claim This claim used to be Roadside # 2

Form MCF100a
Revised July 2014

MAP AND LEGAL DESCRIPTION DO NOT MATCH

LODE

LOCATION NOTICE FOR PLACER MINING CLAIM

Amendment BLM Serial # _____

NOTICE IS HEREBY GIVEN that the DDRS # 3

_____ placer mining claim has been located by

JCR-Mining Ventures LLC whose current mailing address is P.O. Box 447, Congress, AZ 85332

RECEIVED
BLM STATE OFFICE
219 SEP 16 A 10:13 I
PHOENIX, ARIZONA

BLM
Date
Stamp

The general course of this claim is NW to SE and it is situated in Mohave County, Arizona. This claim is 1500 feet in length and 600 feet in width.

20 Total Claim Acreage. This claim runs from the location monument on which this location notice is posted at the NE corner of the claim approximately 1500 feet in a SE direction to the E end line and 600 feet in a SW direction to the So. end line. This claim is marked by four monuments, one at each corner of the claim.

The location monument on which this notice is posted is situated within Section 12/13, Township 22 N, Range 18 W, Gila Salt River Base and Meridian, Arizona. This claim encompasses portions of the following legal subdivision(s) if located by legal subdivision or the following quarter section(s), section(s), Township(s) and Range(s) 12 and 13 - T-22 N, R-18 W, Gila Salt River Base and Meridian, Arizona.

The locality of this claim with reference to some natural object or permanent monument and additional information (if any) concerning its locality are as follows: NE 1/4, SE 1/4 - Sec. 13; and NW 1/4, SW 1/4, NW 1/4, SW 1/4 - Sec. 12 - T-22 N, R-18 W

_____ The above information is shown on the attached map.
DATED AND POSTED on the ground this 2 day of Sept., 2019.

LOCATOR(s) AGENT

Print Name(s) Dan Jacobs

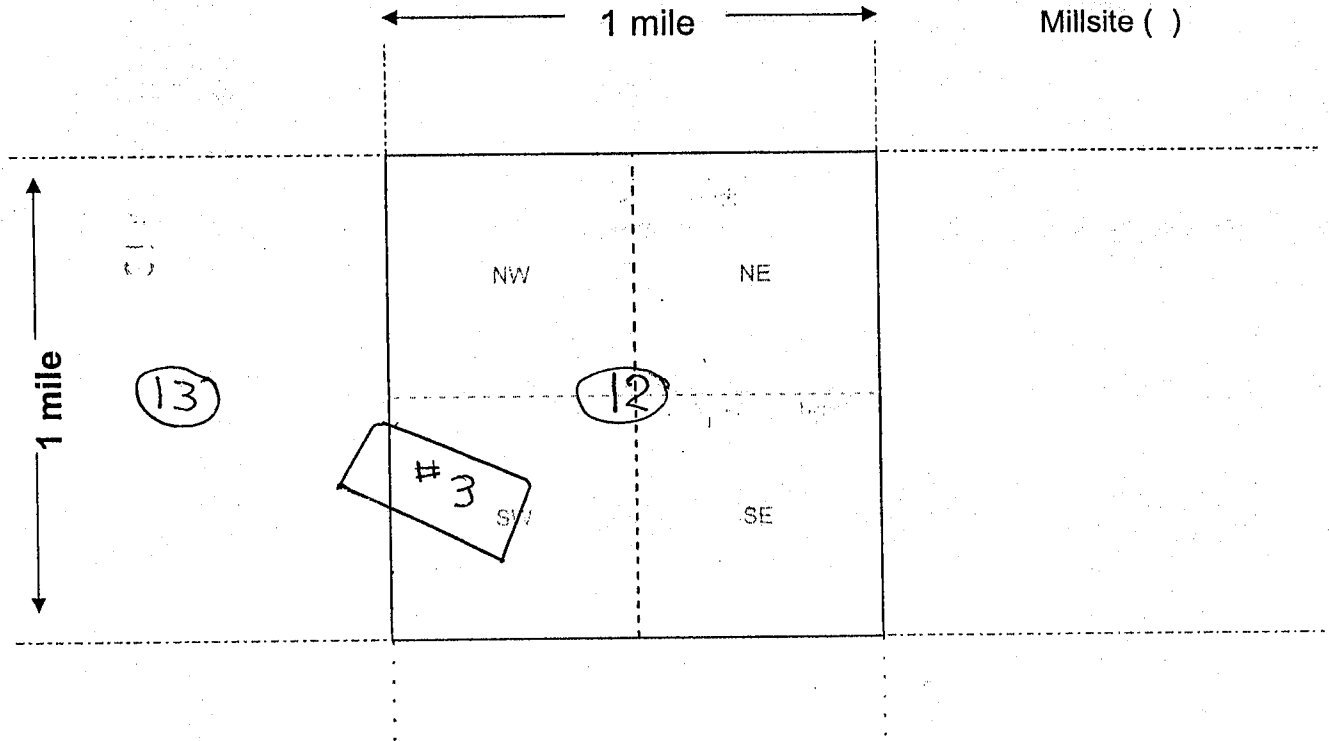
Signature(s) Dan Jacobs

Form MCF102
Revised July 2014

AMC 451053

MINING CLAIM MAP

Lode () Placer ()
Millsite ()



Scale: 1" = 2000 feet



1. The above map depicts the DDRS# 3 mining claim, which is located in Section (s) 12/13, Township 22 N, Range 18 W, Gila and Salt River Base and Meridian, Mohave County, Arizona. Total claim acreage is 20

2. The type of corner and location monuments used are as follows: 2" x 2" x 4" - Wood

3. The bearings and distances in degrees and feet between claim corners and to a public land survey monument are as depicted on the map.

4. If the claim is a placer or millsite claim with exterior limits conforming to legal subdivisions of the public survey, provide a legal description of the claim This claim was formerly called Roadside #3

Form MCF100a
Revised July 2014

**DEPARTMENT OF THE INTERIOR
BUREAU OF LAND MANAGEMENT
Case Recordation**

Geographic Report with Land

Disposition is equal to **AUTHORIZED , CANCELLED , EXPIRED , PENDING , REJECTED , RELINQUISHED ,
WITHDRAWN**
and Meridian Township Range Section is equal to **14 0220N 0180W 012 , 14 0220N 0180W 013**
and Admin State is equal to **AZ**

DEPARTMENT OF THE INTERIOR
BUREAU OF LAND MANAGEMENT
Case Recordation
Geographic Report with Land

Admin State: AZ
Geo State: AZ

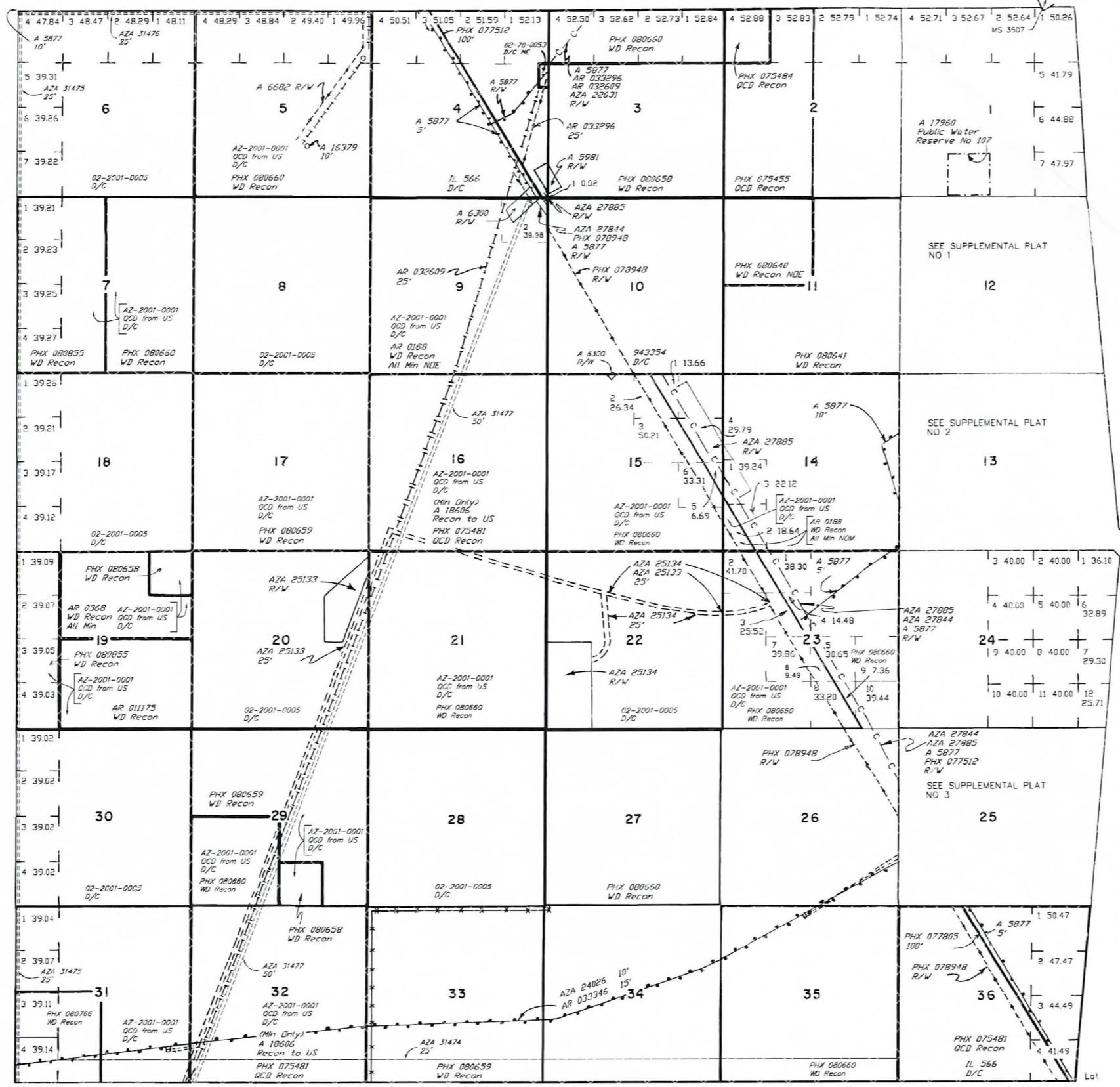
Serial Number	Total Case Acres:	Casetype	Case Disp	Mer	Twp	Rng	Sec	Sur Type	Sur Nr	Suf	Subdivision	Act Pend
AZA 005877	39.250	286203	AUTHORIZED	14	0220N	0180W	012	ALIQ			SESW;	
	39.250							LOTS			5,6;	
AZA 037040	38.566	281001	AUTHORIZED					ALIQ			NWNE,NENW;	

Serial Number	Total Case Acres:	Casetype	Case Disp	Mer	Twp	Rng	Sec	Sur Type	Sur Nr	Suf	Subdivision	Act Pend
AZA 005877	39.250	286203	AUTHORIZED	14	0220N	0180W	013	ALIQ			N2NW,SWNW,S2SW;	
	39.250							MNR		1	SWNWSW,S2NESW;	
AZA 037460	1.000	281001	PENDING					ALIQ			SWSW,NESE;	
	1.000							MNR			SENWSE;	

TOWNSHIP 22 NORTH RANGE 18 WEST OF THE GILA AND SALT RIVER MERIDIAN, ARIZONA

MOHAVE COUNTY

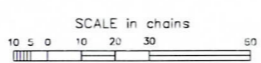
STATUS OF PUBLIC DOMAIN
LAND AND MINERAL TITLES



INDEX TO SEGREGATED TRACTS				
RESURVEY	ORIGINAL SURVEY			
	TRACT NO	T	R	SEC

FOR ORDERS AFFECTING DISPOSAL OR USE OF UNIDENTIFIED LANDS WITHDRAWN FOR CLASSIFICATION, MINERALS, WATER AND/OR OTHER PUBLIC PURPOSES, REFER TO INDEX OF MISCELLANEOUS DOCUMENTS.

- DIST NO 2
- GRAZING DIST NO 2
- MDS 449 NE
- 450 NW
- AZA 24026 10'
- Sec 25 : Lot 4, 5, N1/2SW1/4, NW1/4SE1/4
- Sec 26 : E1/2SE1/4, SW1/4SE1/4
- Sec 31 : Lot 4, SE1/4SW1/4, S1/2SE1/4
- Sec 32 : SW1/4, N1/2SE1/4
- Sec 33 : N1/2S1/2
- Sec 34 : S1/2NE1/4, SE1/4NW1/4, N1/2SW1/4
- Sec 35 : NW1/4NE1/4, N1/2NW1/4, SW1/4NW1/4



WARNING STATEMENT
This plot is the Bureau's Record of Title, and should be used only as a graphic display of the township survey data. Records herein do not reflect title changes which may have been effected by lateral movements of rivers or other bodies of water. Refer to the cadastral surveys for official survey information.

Lat 35°14'30"N
Long 114°08'59"W

CURRENT TO	GS	T	R
7-11-2002	PV	22 N	18 W

